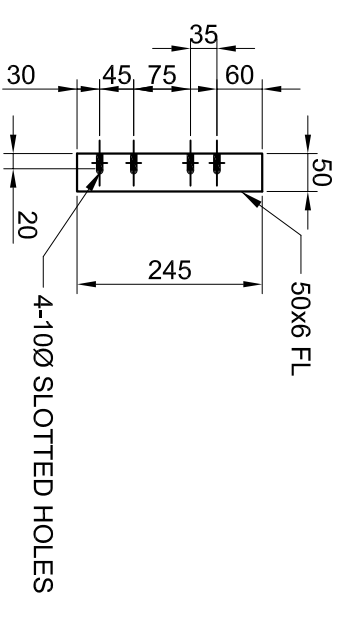
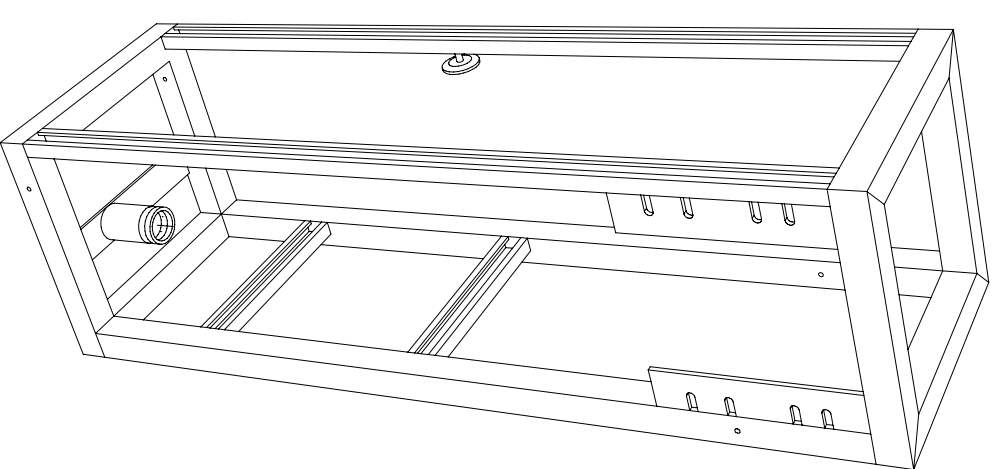
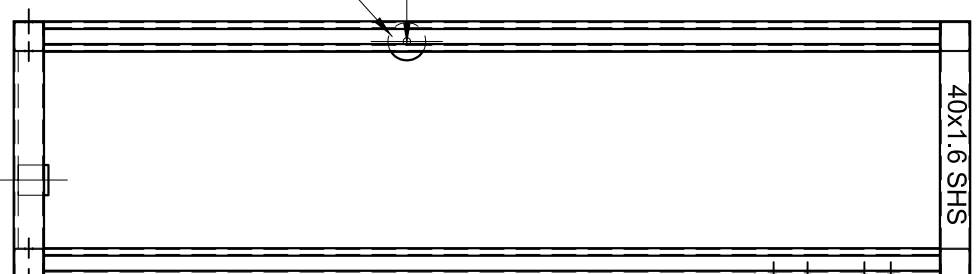
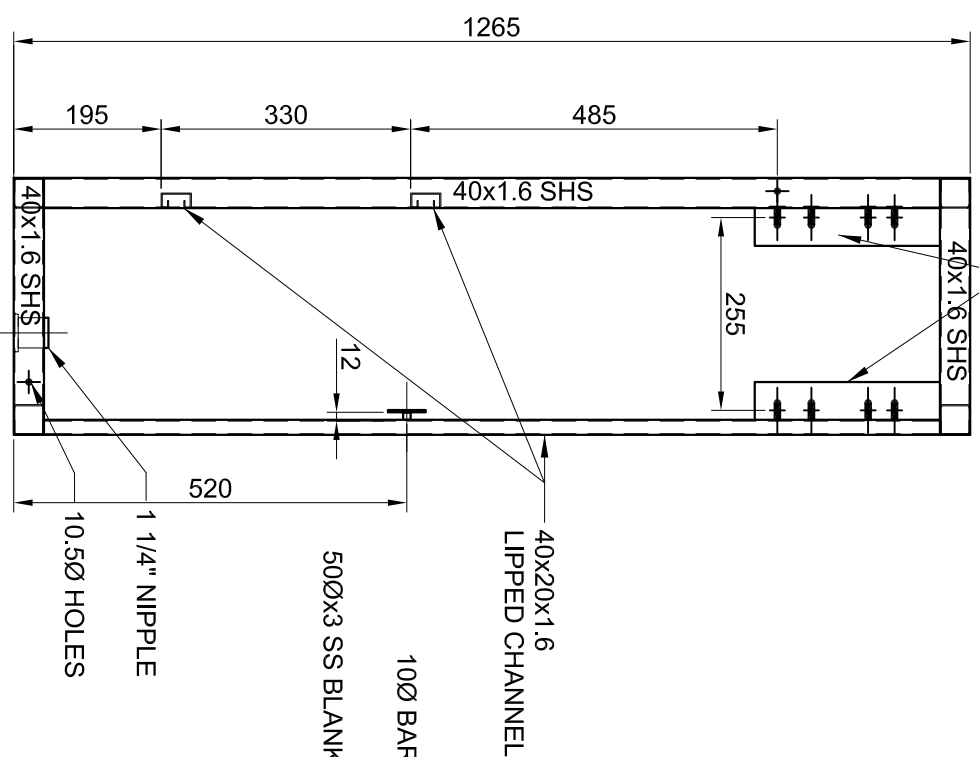
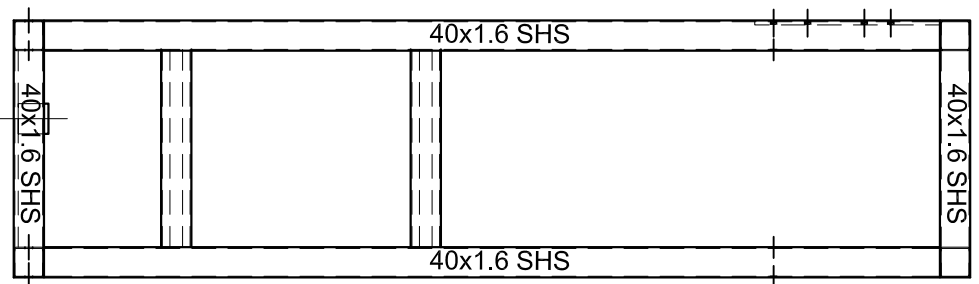


50x6 FL BRACKETS

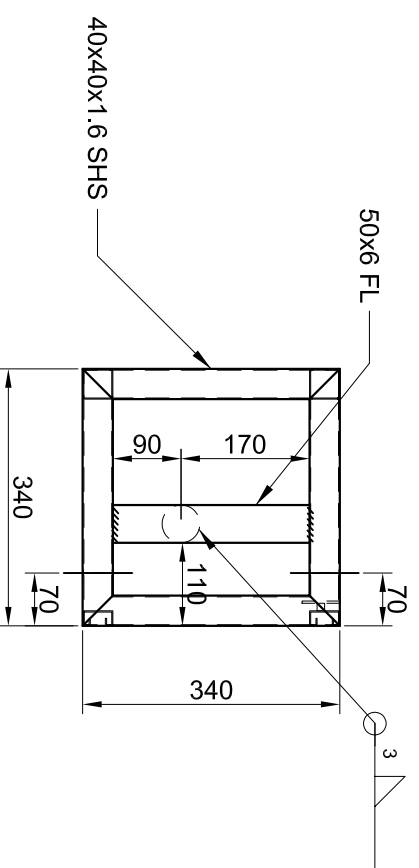


2 - REQD- BRACKET



1 - REQD - FRAME ASSEMBLY

ALL STEEL SECTIONS TO BE MILD STEEL UNO

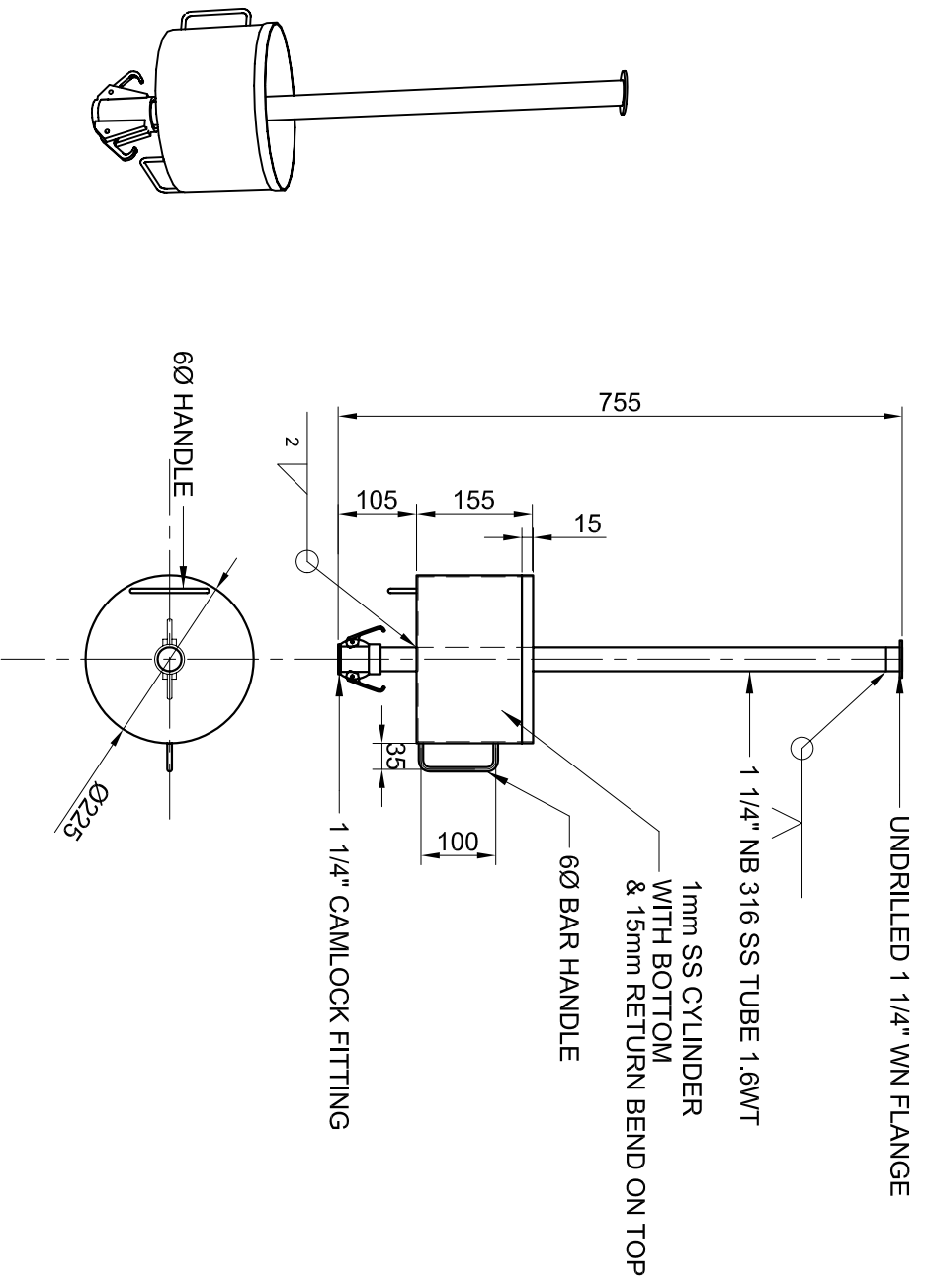


Project
TRUST NATURE PTY LTD
1000 LITRE COMPOST
TEA BREWER

Designed by _____
 Drawn by _____
 Checked by _____
 Date _____

Title
MAIN FRAME
DETAILS

Scale
 1:100@A3
 Job No. _____
 Drawing No. _____
 Rev. _____
S10.1 A



1 - REQD - TUBE ASSY 1

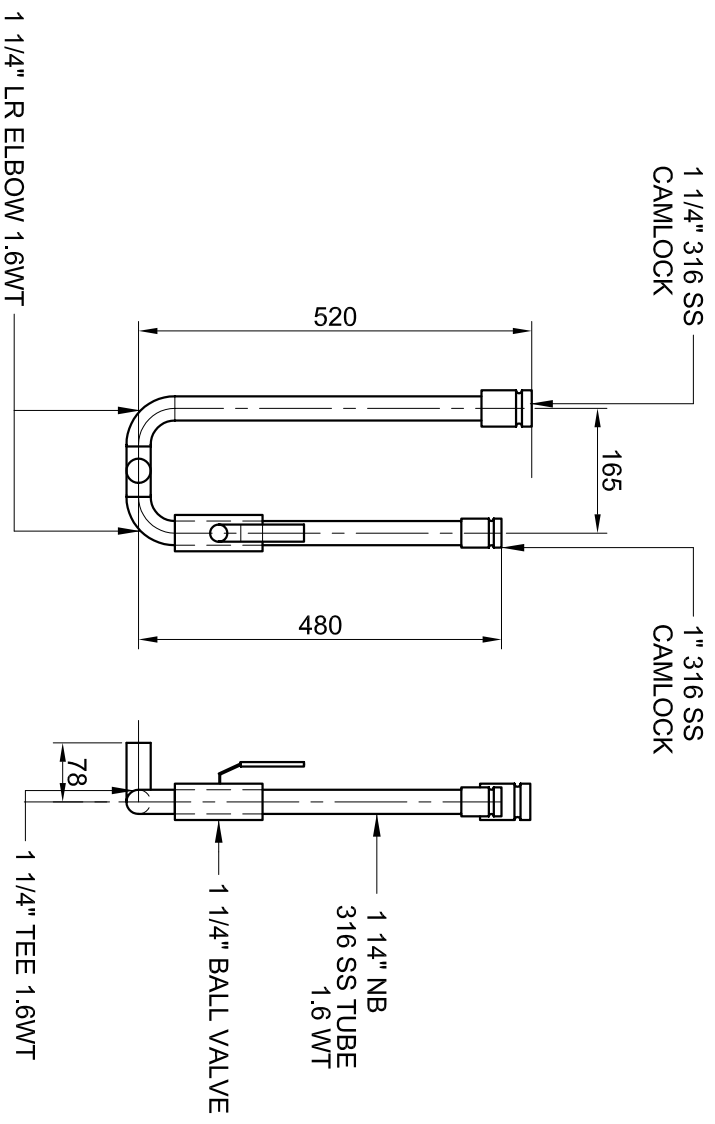
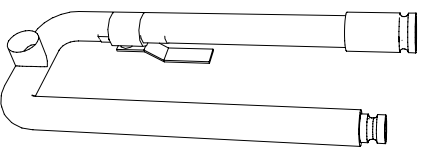
ALL MATERIAL TO BE 316 STAINLESS STEEL UNO

TRUST NATURE PTY LTD
1000 LITRE COMPOST
TEA BREWER

Designed by _____
 Drawn by MJM
 Checked by _____
 Date 11/2/2011

Title _____
1000L COMPOST BREWER
TUBE ASSEMBLY 1

Scale 1:10@A4
 Job No. _____
 Drawing No. _____
 Rev. _____
S10.2 A



1 - REQD - TUBE ASSY 2

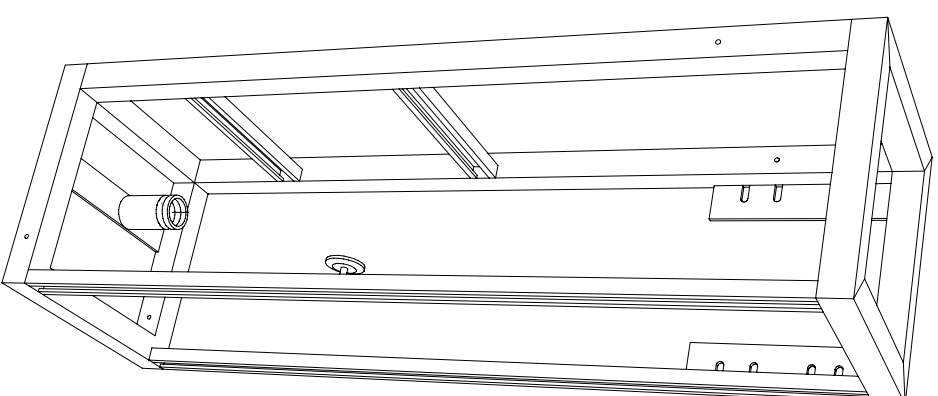
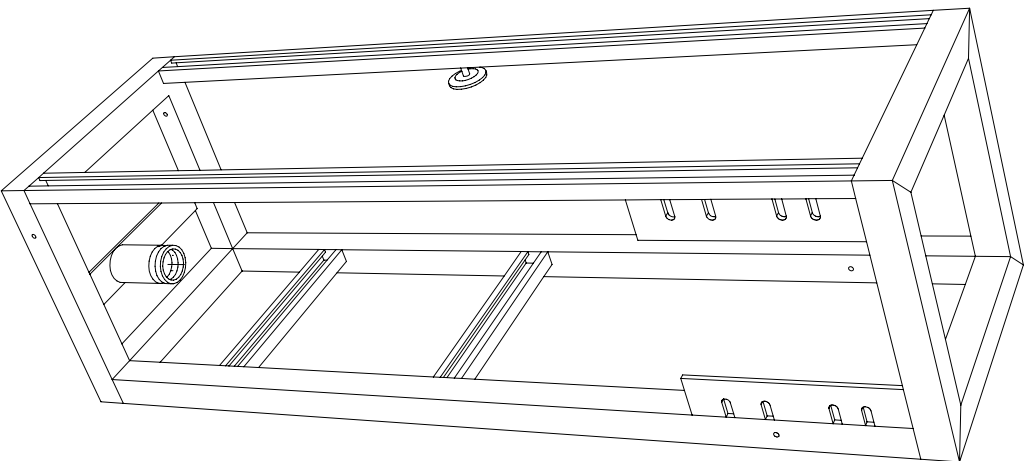
ALL COMPONENTS 316 STAINLESS STEEL UNO

TRUST NATURE PTY LTD
1000 LITRE COMPOST
TEA BREWERY

Designed by _____
Drawn by MJM
Checked by _____
Date 11/2/2011

Title
1000L COMPOST BREWERY
TUBE ASSEMBLY 2

Scale 1:10@A4
Job No. _____
Drawing No. S10.3 A
Rev. _____



TRUST NATURE PTY LTD
1000 LITRE COMPOST
TEA BREWER

Designed by

Drawn by MJM

Checked by _____

Date 11/2/2011

Title

1000L COMPOST BREWER
FRAME PICTORIAL

Scale

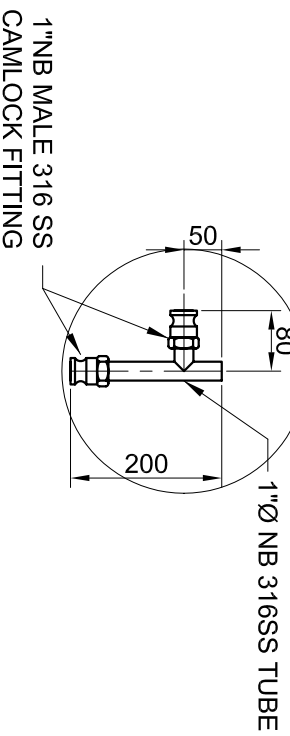
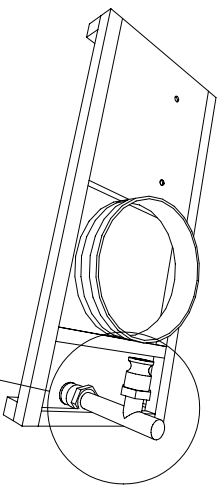
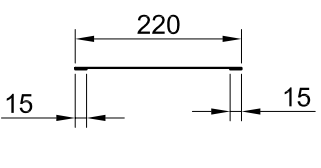
1:10@A4

Job No. _____

Drawing No.

S10.4 A

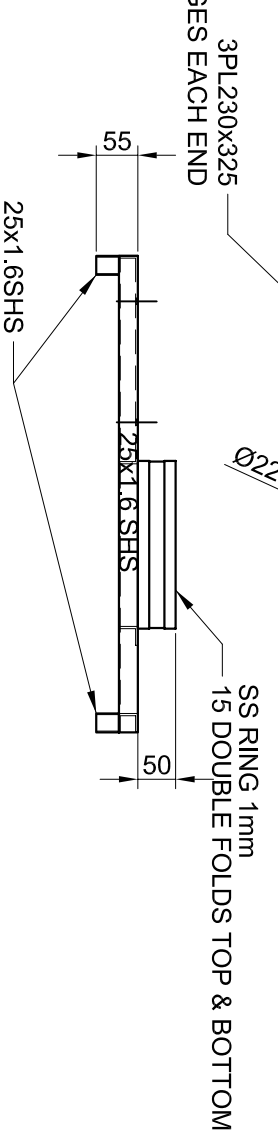
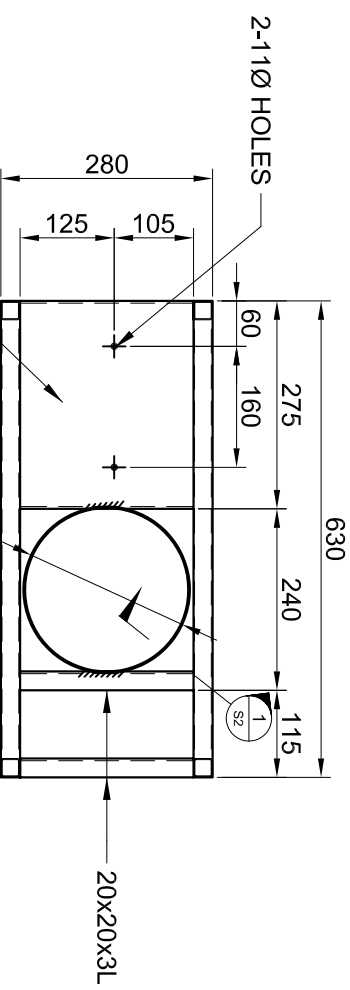
Rev. _____



SECTION 1
S2

1"Ø NB 316SS TUBE

25 FLANGES EACH END



1 - REQD - MOTOR BASE

ALL COMPONENTS MILD STEEL UNO

1 - REQD - TUBE ASSY 3

TRUST NATURE PTY LTD
200 LITRE COMPOST
TEA BREWER

Designed by

Drawn by MJM

Checked by _____

Date 11/12/2011

Title

200L COMPOST BREWER
MOTOR BASE

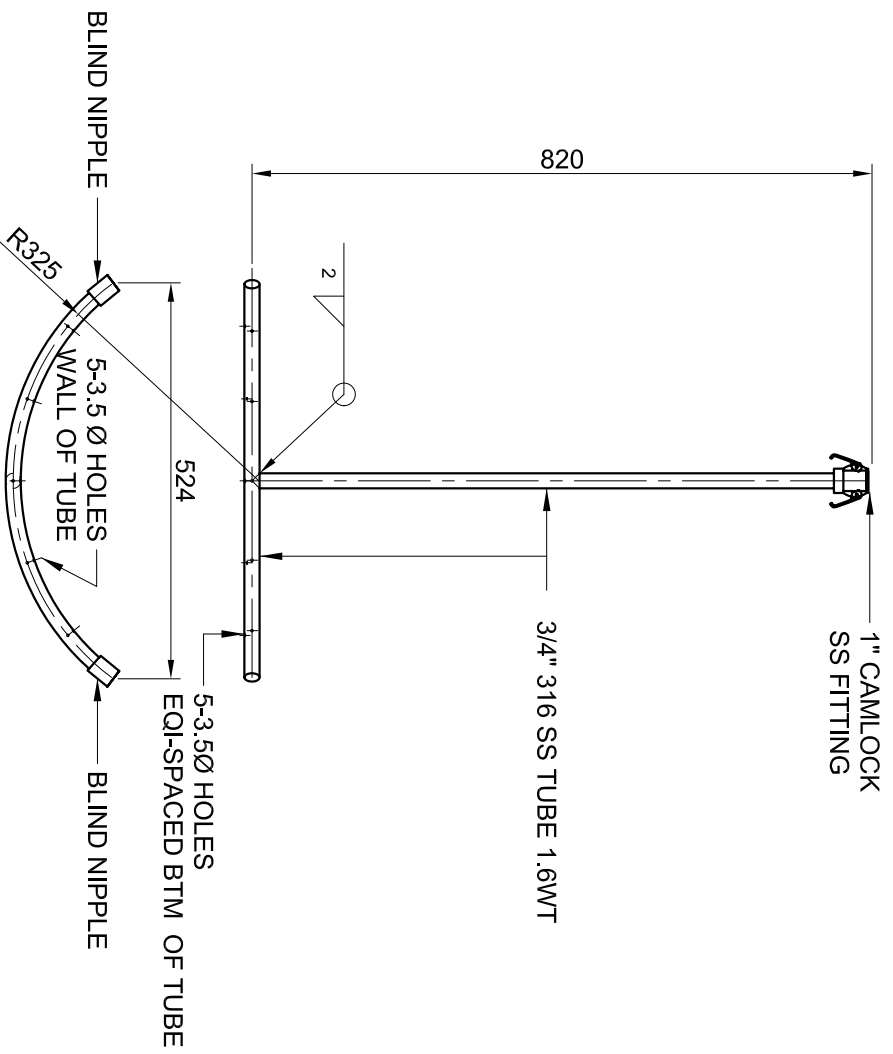
Scale

1:10@A4

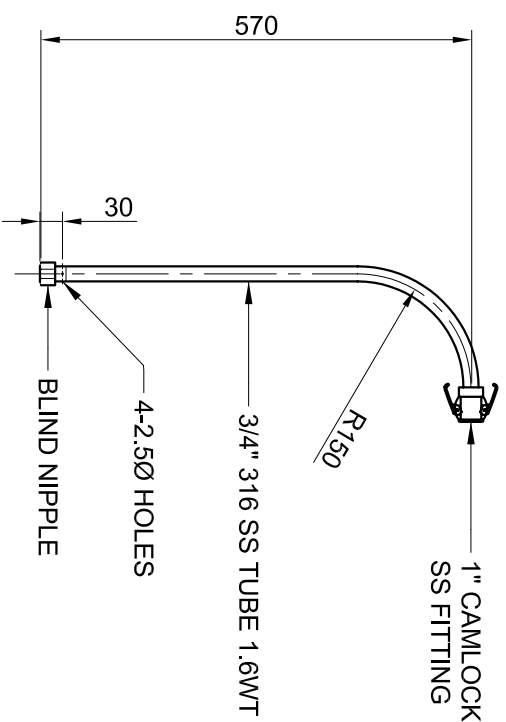
Job No.

Drawing No. _____
 Rev. _____

S10.5 A



1 - REQD - TUBE ASSY 1



1 - REQD - TUBE ASSY 2

TRUST NATURE PTY LTD
200 LITRE COMPOST
TEA BREWER

Designed by

Drawn by
 MJM

Checked by

Date

11/2/2011

Title

200L COMPOST BREWER
TUBE ASSY 1&2

Scale

1:10@A4

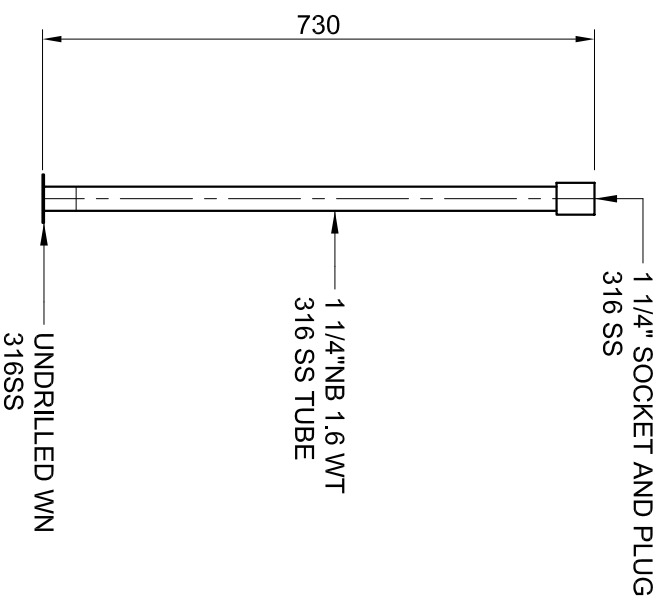
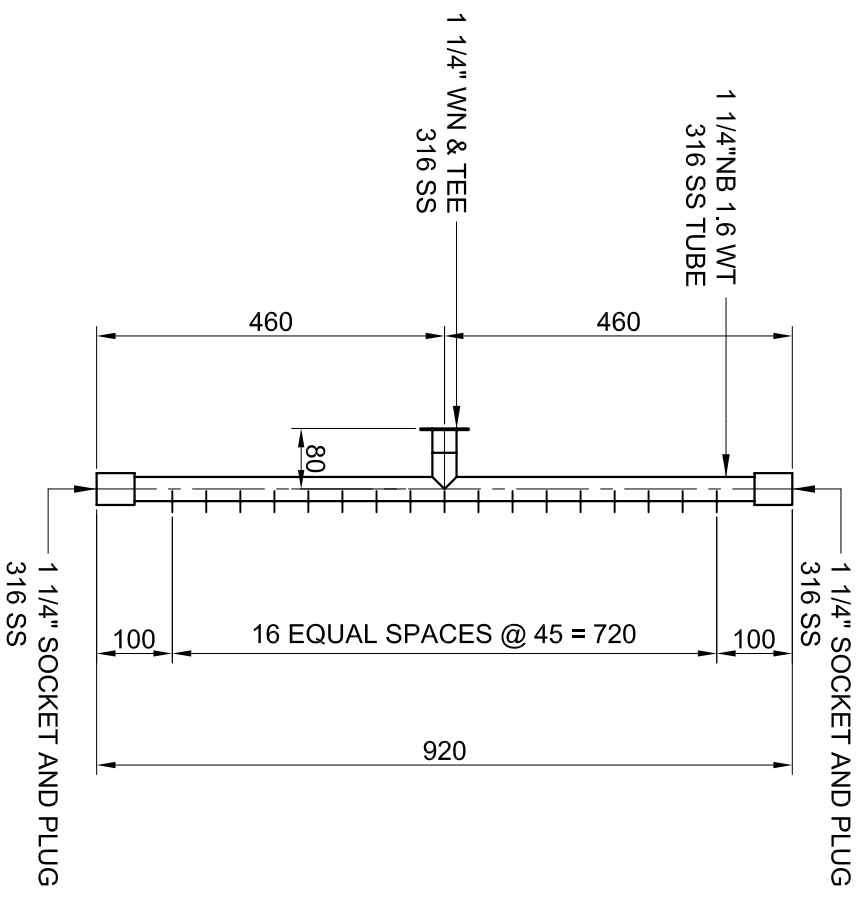
Job No.

Drawing No.

Rev.

S10.6 A

17-2.5Ø HOLES



TRUST NATURE PTY LTD
1000 LITRE COMPOST
TEA BREWER

Designed by _____
Drawn by MJM
Checked by _____
Date 24/2/2011

Title
1000L COMPOST BREWER
TUBES ASSY 4&5

Scale 1:10@A4
Job No. _____
Drawing No. S10.6 A
Rev. _____